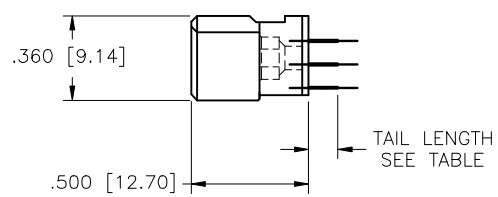
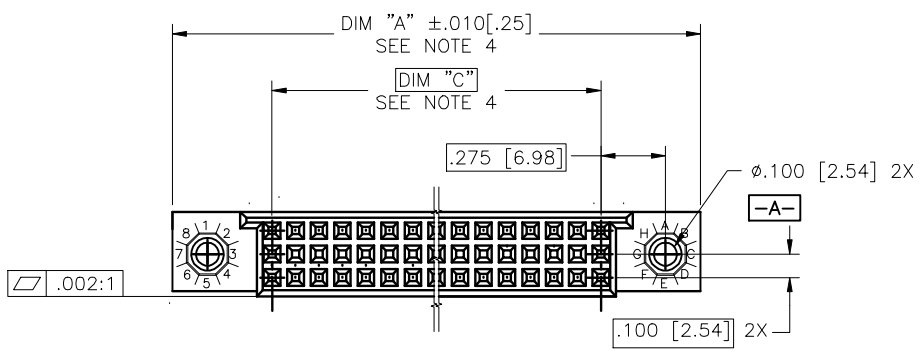
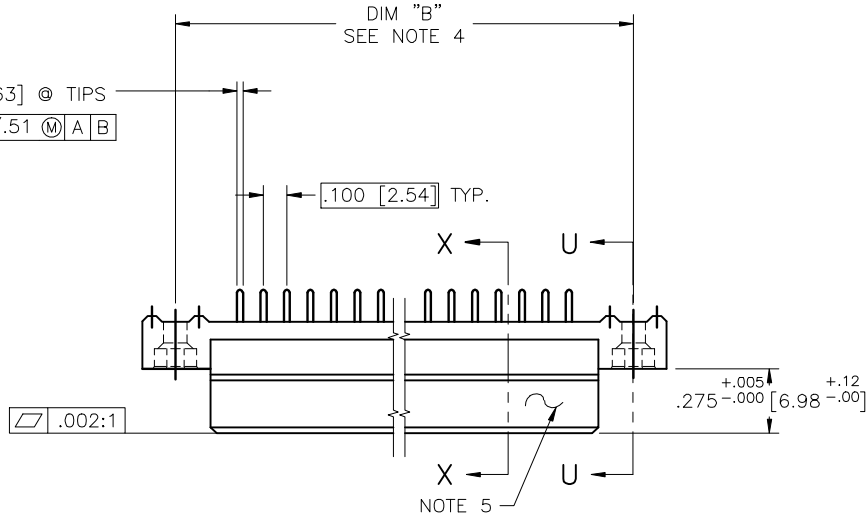


PRODUCT NUMBER  
SEE TABLE



mat'l. code				surface	tolerance	projection	product family
NOTE 3				ISO 1302	ISO 406 ISO 1101	ISO 1001	HPC
ltr	ecn no	dr	date	tolerances unless otherwise specified		INCH/MM	title
G	V40716	PDP	4/05/94	angles	.XX±.01/XX±0.3		
H	V41216	MDF	9/08/94	linear	.XXX±.006/XX±0.13	scale 1:1	3 ROW VERTICAL RECEPTACLE SOLDER TO BOARD, 0 GUIDE PIN
J	V90140	HTB	2/16/99	σ±z	.XXX±.0020/XXX±0.051		
K	V00258	JWS	1/21/00	dr	S. ROYER 8/08/91	FCJ	dwg no
L	V05-0744	DAI	10/15/05	engr	S. CLARK 8/14/91		sheet 1 of 3
M	M06-0255	AEA	7/07/06	chr	S. CLARK 8/14/91		size
N	M08-0308	MHT	10/22/08	appd	S. CLARK 8/14/91		A3
sheet	revision	N	N	N	type Product Customer Drawing		
index	sheet	1	2	3			

FCJ  
FCconnect.com

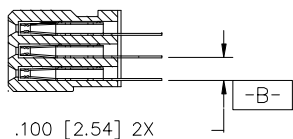
Copyright FCJ

PRODUCT NUMBER  
SEE TABLE

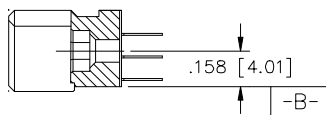
NOTES:

- ① PRODUCT NUMBERING CODE:  
50332 - X YYY Z LF  
 LEAD FREE (OPTIONAL)  
 TAIL LENGTH SEE TABLE  
 NO. OF POSITIONS SEE NOTE 2  
 PLATING SEE TABLE  
 BASE NUMBER

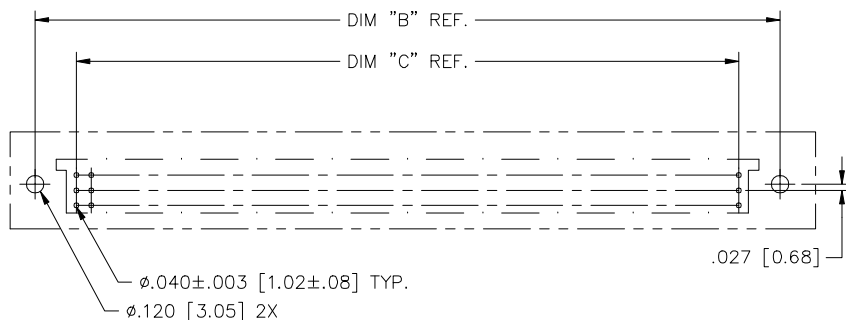
- PRODUCT NUMBERING CODE FOR  
SELECT LOAD PART NUMBERS:  
50332 - XYYYY LF  
 LEAD FREE (OPTIONAL)  
 SEQUENCE NUMBER  
 ALWAYS 'XX'  
 BASE NUMBER



SECTION X-X



SECTION U-U



RECOMMENDED PCB LAYOUT  
(ALL HOLES LOCATED ON .100/2.54 GRID  
UNLESS OTHERWISE SPECIFIED)

- ② THIS PRODUCT IS CONFIGURED IN SIZES OF 10 THRU 80 COLUMNS IN INCREMENTS OF ONE. i.e.: 10,11,12,13,.....79,80.
- ③ HOUSING MATERIAL: GLASS AND MINERAL FILLED HIGH TEMP. THERMOPLASTIC. FLAME RETARDANT PER UL94V-0. COLOR: BLACK. CONTACT MATERIAL: BeCu
- ④ LENGTH FORMULAS  
 DIM A = .100/2.54 X NO. OF COLUMNS + .75/19.1  
 DIM B = .100/2.54 X NO. OF COLUMNS + .45/11.4  
 DIM C = .100/2.54 X NO. OF COLUMNS - .10/2.5
- ⑤ MANUFACTURE'S NAME, P/N AND LOT CODE TO APPEAR ON THIS SURFACE AS PER BUS-12-108.
6. THIS PRODUCT (WITH "LF" SUFFIX) MEETS EUROPEAN UNION DIRECTIVES AND OTHER COUNTRY REGULATIONS AS DESCRIBED IN GS-22-008.
7. THIS HOUSING WILL WITHSTAND EXPOSURE TO 260° C PEAK TEMPERATURE FOR 10-30 SECONDS IN A CONVECTION INFRA-RED OR VAPOR PHASE REFLOW OVEN.
- ⑧ PLATING OPTIONS:  
MAYBE EITHER GOLD OR GXT PLATED AT MANUFACTURER CHOICE

mat'l. code		surface		tolerance	projection	product family	
-		ISO 1302		ISO 406		HPC	
		✓		ISO 1101			
ltr	ecn no	dr	date		title		
N					3 ROW VERTICAL RECEPTACLE		
		angles		linear	SOLDER TO BOARD, 0 GUIDE PIN		
				0±.2	scale 1:1		
		dr	S. ROYER 8/08/91				dwg no
		enr	S. CLARK 8/14/91				sheet 2 of 3
		chr	S. CLARK 8/14/91				size
		appd	S. CLARK 8/14/91				A3
sheet	revision				type		Product Customer Drawing
index	sheet						

PRODUCT NUMBER	NUMBER OF POSITIONS SEE NOTE 2	TAIL LENGTH	CONTACT PLATING NOTE 8
50332-1YYYE	YYY	.125±.010/3.18±0.25	30u"/.76u Au OR GXT
50332-1YYYF	YYY	.145±.010/3.68±0.25	30u"/.76u Au OR GXT
50332-1YYYH	YYY	.180±.010/4.57±0.25	30u"/.76u Au OR GXT
50332-3YYYE	YYY	.125±.010/3.18±0.25	50u"/1.25u Au OR GXT
50332-3YYYF	YYY	.145±.010/3.68±0.25	50u"/1.25u Au OR GXT
50332-3YYYH	YYY	.180±.010/4.57±0.25	50u"/1.25u Au OR GXT
50332-5YYYE	YYY	.125±.010/3.18±0.25	30u"/.76u Au OR GXT
50332-5YYYELF	YYY	.125±.010/3.18±0.25	30u"/.76u Au OR GXT
50332-5YYYF	YYY	.145±.010/3.68±0.25	30u"/.76u Au OR GXT
50332-5YYYFLF	YYY	.145±.010/3.68±0.25	30u"/.76u Au OR GXT
50332-5YYYH	YYY	.180±.010/4.57±0.25	30u"/.76u Au OR GXT
50332-5YYYHLF	YYY	.180±.010/4.57±0.25	30u"/.76u Au OR GXT



FCJconnect.com

Copyright FCJ

mat'l. code		surface ISO 1302		tolerance ISO 406 ISO 1101		projection		product family	
-		✓						HPC	
ltr	ecm no	dr	date	tolerances unless otherwise specified					
N				angles	linear			title	
				0±2'		INCH/MM		3 ROW VERTICAL RECEPTACLE	
						scale 1:1		SOLDER TO BOARD, 0 GUIDE PIN	
		dr	S. ROYER	8/08/91			dwg no		sheet 3 of 3
		engr	S. CLARK	8/14/91			50332		size A3
		chr	S. CLARK	8/14/91					
		appd	S. CLARK	8/14/91			type		Product Customer Drawing
sheet	revision								
index	sheet								



form: A3